

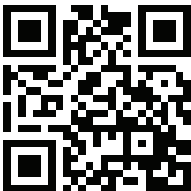
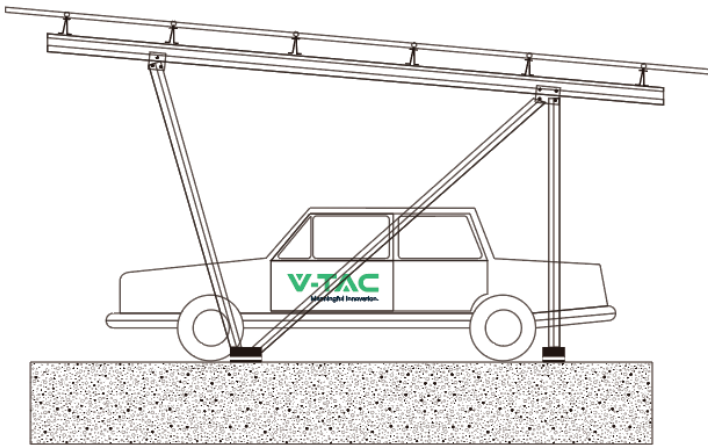


Meaningful Innovation.

WEEE Number: 80133970

# INSTRUCTION MANUAL

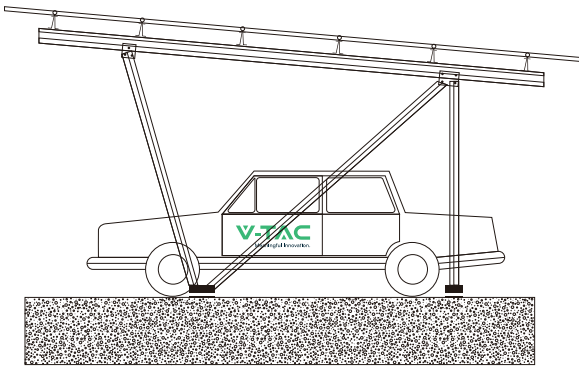
## CAR PORT












### **MULTI-LANGUAGE MANUAL QR CODE**

Please scan the QR code to access the manual in multiple languages.

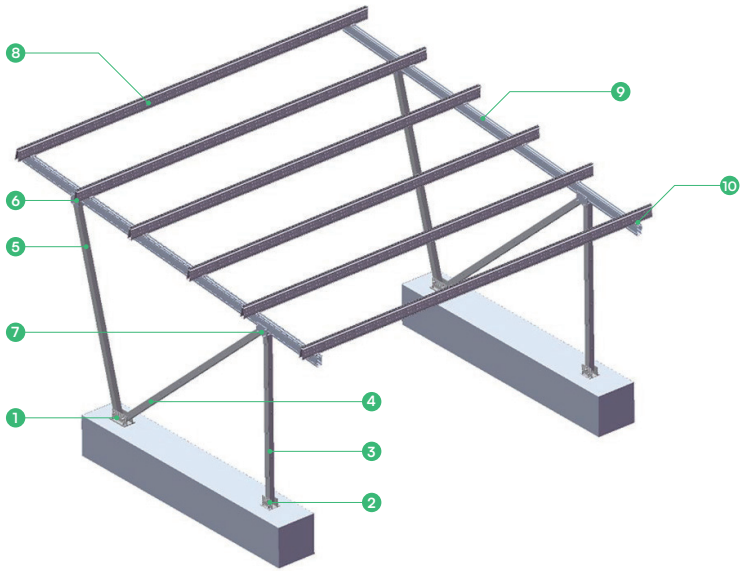
## 1. Diagrammatic Drawing



## 2. Product List

SKU	Picture	Description	Qty	Barcode
118211		Crossbar Rail 5900mm	6	3800170208384
118212		Clamping Kit	48	3800170208391
118213		Mid Clamp 35mm	24	3800170208407
118214		End Clamp 35mm	12	3800170208414
118215		Carpport Stringer 6000mm	2	3800170208421
118216		H Jackets 150mm	2	3800170208438
118217		H Jackets 220mm	2	3800170208445
118218		Carpport Tube 2500mm	2	3800170208452
118219		Carpport Tube 3760mm	2	3800170208469
118220		Carpport Tube 2950mm	2	3800170208476
118221		Base 200mm	2	3800170208483
118222		Base 300mm	2	3800170208490
118223		Waterproof Accessories	28m	3800170208506

### 3. Carport Structure



### 4. Accessories

1  
Base  
(300mm)



2  
Base  
(200mm)



3  
Carport Tube  
(2500mm)



4  
Carport Tube  
(3760mm)



5  
Carport Tube  
(2950mm)



6  
H Jacket  
(150mm)



7  
H Jacket  
(220mm)



8  
Crossbar Rail  
(5900mm)



9  
Carport Stringer  
(6000mm)



10  
Clamping kit  
(35mm)



Mid Clamp  
(35mm)



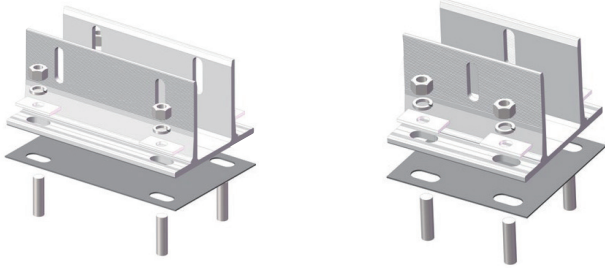
End Clamp  
(35mm)



## 5 . Installation Steps

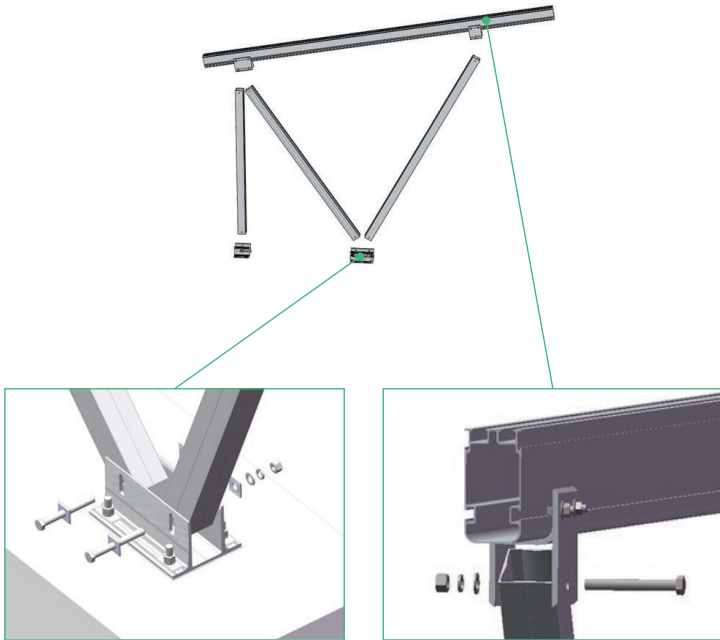
### Step 1

Disassemble the screws of the base to fix it on the ground.



### Step 2

Using the screws of base to fix the end carport tubes, meanwhile, fix the H-Jackets on the carport stringer, then connect the H-Jackets with the other end of carport tubes.

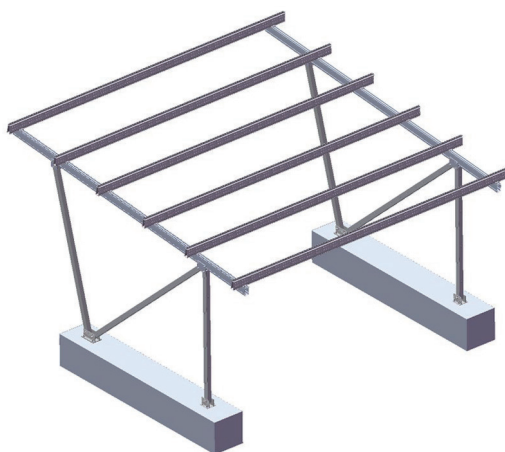
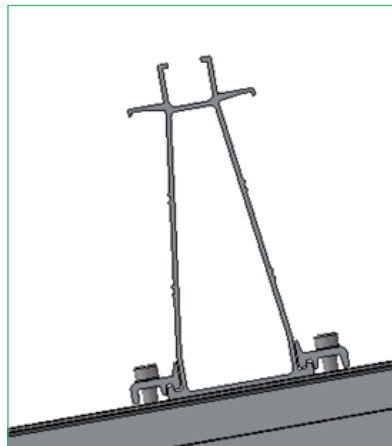
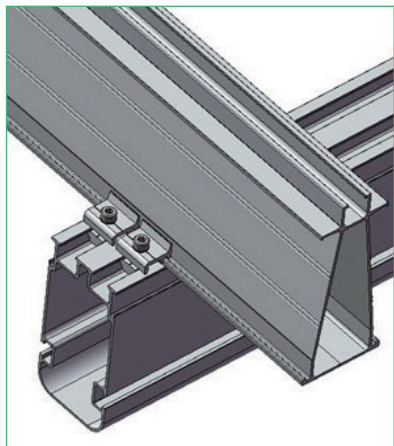
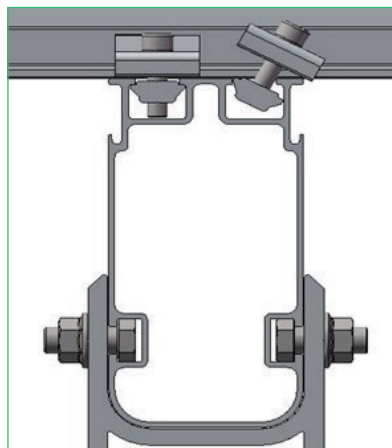
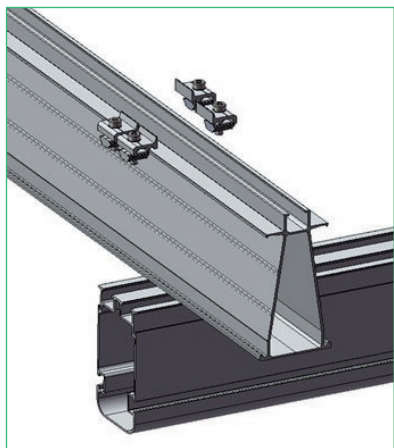


### Step 3

The other side should install as the same method.

**Step 4**

Using the clamping kit to install the Crossbar rail and Stringer.



**Step 5**

Using mid clamps and end clamps to fix solar panels on the crossbar rail.

